



# Product Specification

AU OPTRONICS CORPORATION

B133EW03 V0

( V ) Preliminary Specifications

( ) Final Specifications

<b>Module</b>	13.3" WXGA Color TFT-LCD
<b>Model Name</b>	B133EW03 V0

<b>Customer</b>	<b>Date</b>
_____	_____
<b>Checked &amp; Approved by</b>	
_____	_____
Note: This Specification is subject to change without notice.	

<b>Approved by</b>	<b>Date</b>
_____	_____
<b>Prepared by</b>	
_____	_____
NBBU Marketing Division / AU Optronics corporation	



# Product Specification

AU OPTRONICS CORPORATION

B133EW03 V0

## Contents Record of Revision

<b>1. Handling Precautions</b> .....	<b>4</b>
<b>2. General Description</b> .....	<b>5</b>
2.1 General Specification .....	5
2.2 Optical Characteristics .....	6
<b>3. Functional Block Diagram</b> .....	<b>11</b>
<b>4. Absolute Maximum Ratings</b> .....	<b>12</b>
4.1 Absolute Ratings of TFT LCD Module .....	12
4.2 Absolute Ratings of Backlight Unit .....	12
4.3 Absolute Ratings of Environment .....	12
<b>5. Electrical characteristics</b> .....	<b>13</b>
5.1 TFT LCD Module .....	13
5.2 Backlight Unit .....	15
<b>6. Signal Characteristic</b> .....	<b>16</b>
6.1 Pixel Format Image .....	16
6.2 The input data format .....	17
6.3 Signal Description/Pin Assignment .....	18
6.4 Interface Timing .....	20
<b>7. Connector Description</b> .....	<b>22</b>
7.1 TFT LCD Module .....	22
<b>8. Vibration and Shock Test</b> .....	<b>23</b>
8.1 Vibration Test .....	23
8.2 Shock Test Spec: .....	23
<b>9. Reliability</b> .....	<b>24</b>
<b>10. Mechanical Characteristics</b> .....	<b>25</b>
10.1 LCM Outline Dimension .....	25
<b>11. Shipping and Package</b> .....	<b>27</b>
11.1 Shipping Label Format .....	27
11.2. Carton package .....	28
11.3 Shipping package of palletizing .....	29



# Product Specification

AU OPTRONICS CORPORATION

B133EW03 V0

Version and Date	Page	Old description	New Description	Remark
0.1 2007/06/25	All	First Edition for Customer		



# Product Specification

AU OPTRONICS CORPORATION

B133EW03 V0

## 1. Handling Precautions

- 1) Since front polarizer is easily damaged, pay attention not to scratch it.
- 2) Be sure to turn off power supply when inserting or disconnecting from input connector.
- 3) Wipe off water drop immediately. Long contact with water may cause discoloration or spots.
- 4) When the panel surface is soiled, wipe it with absorbent cotton or other soft cloth.
- 5) Since the panel is made of glass, it may break or crack if dropped or bumped on hard surface.
- 6) Since CMOS LSI is used in this module, take care of static electricity and insure human earth when handling.
- 7) Do not open nor modify the Module Assembly.
- 8) Do not press the reflector sheet at the back of the module to any directions.
- 9) At the insertion or removal of the Signal Interface Connector, be sure not to rotate nor tilt the Interface Connector of the TFT Module.
- 10) After installation of the TFT Module into an enclosure (Notebook PC Bezel, for example), do not twist nor bend the TFT Module even momentarily. At designing the enclosure, it should be taken into consideration that no bending/twisting forces are applied to the TFT Module from outside. Otherwise the TFT Module may be damaged.
- 11) Small amount of materials having no flammability grade is used in the LCD module. The LCD module should be supplied by power complied with requirements of Limited Power Source ( , IEC60950 or UL1950 ) , or be applied exemption.



# Product Specification

AU OPTRONICS CORPORATION

B133EW03 V0

## 2. General Description

B133EW03 V0 is a Color Active Matrix Liquid Crystal Display composed of a TFT LCD panel, a driver circuit, and backlight system. The screen format is intended to support the WXGA (1280(H) x 800(V)) screen and 262k colors (RGB 6-bits data driver). All input signals are LVDS interface compatible. Inverter of backlight is not included.

B133EW03 V0 is designed for a display unit of notebook style personal computer and industrial machine.

## 2.1 General Specification

The following items are characteristics summary on the table at 25 °C condition:

Items	Unit	Specifications
Screen Diagonal	[mm]	337.8 (13.3 W")
Active Area	[mm]	286.08 (H) x 178.8 (V)
Pixels H x V		1280x3 (RGB) x 800
Pixel Pitch	[mm]	0.2235 x 0.2235
Pixel Arrangement		R.G.B. Vertical Stripe
Display Mode		Normally White
White Luminance (ILED=16.0mA)	[cd/m <sup>2</sup> ]	330Typ. (5 points average) 270 Min. (5 points average)
Luminance Uniformity		1.8 max. (5 points)
Contrast Ratio		500:1 Typ.,300:1 Min.
Backlight Mode		LED ( X54 )
Optical Rise Time/Fall Time	[msec]	16 Typ., 25 Max.
Nominal Input Voltage VDD	[Volt]	+3.3 Typ.
Power Consumption	[Watt]	Logic 0.7W; BLU 3.5W(max)
Weight	[Grams]	210 g Typ., 225g Max.
Physical Size	[mm]	297.15 (W) x 203.15 (H) x 2.7 (T) Typ.
Electrical Interface		R/G/B Data, 3 Sync, Signals, Clock (4 pairs LVDS)
Surface Treatment		Hard coating 3H, Glare type,
Support Color		262K colors ( RGB 6-bit )
Temperature Range Operating Storage (Non-Operating)	[°C] [°C]	0 to +50 -20 to +60
RoHS Compliance		RoHS Compliance



# Product Specification

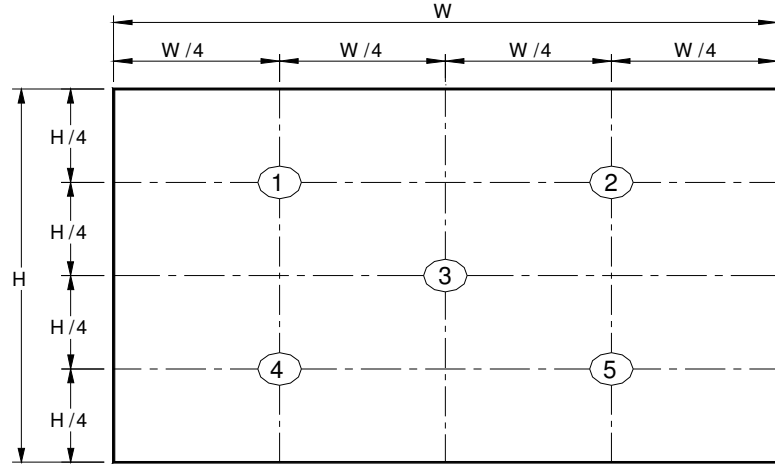
AU OPTRONICS CORPORATION

B133EW03 V0

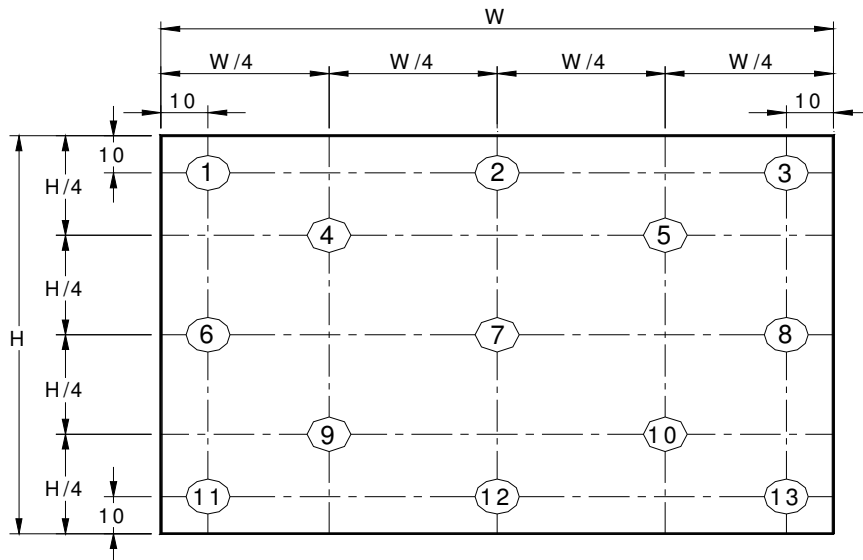
## 2.2 Optical Characteristics

The optical characteristics are measured under stable conditions at 25°C (Room Temperature) :

Item	Unit	Conditions	Min.	Typ.	Max.	Note
White Luminance I <sub>F</sub> =20mA	[cd/m <sup>2</sup> ]	5 points average	270	330	-	1, 4, 5.
Viewing Angle (6 O'clock direction)	[degree]	Horizontal (Right)	60	75	-	9
	[degree]	CR = 10 (Left)	60	75	-	
	[degree]	Vertical (Upper)	55	65	-	
	[degree]	CR = 10 (Lower)	50	60	-	
Luminance Uniformity		5 Points			1.25	1
Luminance Uniformity		13 Points			1.80	2
CR: Contrast Ratio			300	500	-	6
Cross talk	%				1.4	7
Response Time	[msec]	Rising	-	5	10	8
	[msec]	Falling	-	11	15	
	[msec]	Rising + Falling		16	25	
Color/Chromaticity-- Panel Coordinates ( CIE 1391 )		White x	0.283	0.313	0.343	
		White y	0.299	0.329	0.359	
Color / Chromaticity-- LED Coordinates ( CIE 1391 )		Rx	0.570	0.600	0.630	
		Ry	0.315	0.345	0.375	
		Gx	0.290	0.320	0.350	
		Gy	0.525	0.555	0.580	
		Bx	0.120	0.150	0.180	
		By	0.090	0.120	0.150	



Note 2: 13 points position



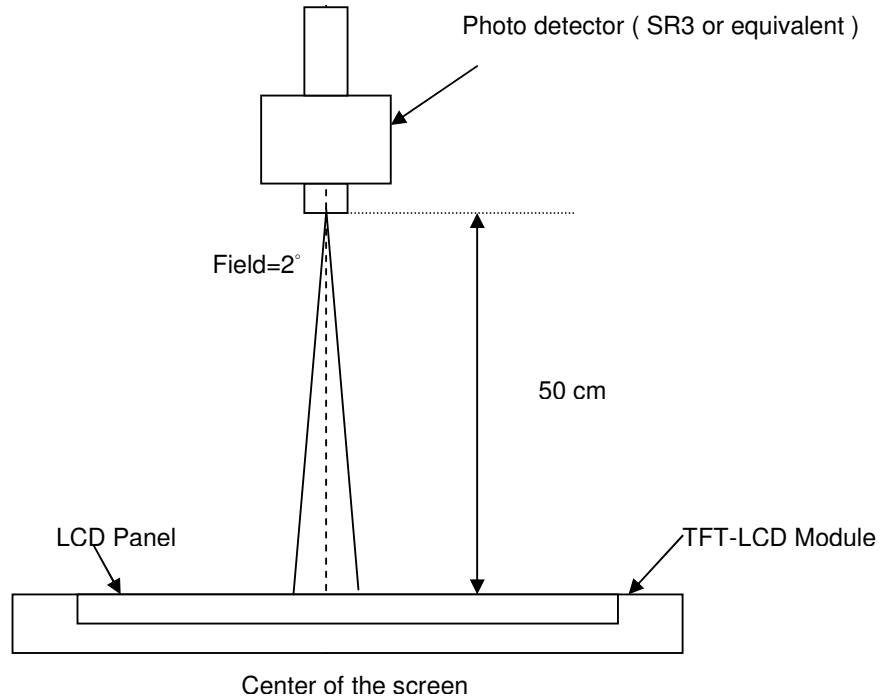
Note 3: The luminance uniformity of 5 and 13 points is defined by dividing the maximum luminance values by the minimum test point luminance

$$\delta_{w5} = \frac{\text{Maximum Brightness of five points}}{\text{Minimum Brightness of five points}}$$

$$\delta_{w13} = \frac{\text{Maximum Brightness of thirteen points}}{\text{Minimum Brightness of thirteen points}}$$

Note 4: Measurement method

The LCD module should be stabilized at given temperature for 30 minutes to avoid abrupt temperature change during measuring. In order to stabilize the luminance, the measurement should be executed after lighting Backlight for 30 minutes in a stable, windless and dark room.



Note 5 : Definition of Average Luminance of White ( $Y_L$ ) :

Measure the luminance of gray level 63 at 5 points ,  $Y_L = [L (1) + L (2) + L (3) + L (4) + L (5) ] / 5$

$L (x)$  is corresponding to the luminance of the point X at Figure in Note (1) .

Note 6 : Definition of contrast ratio:

Contrast ratio is calculated with the following formula.

$$\text{Contrast ratio (CR)} = \frac{\text{Brightness on the "White" state}}{\text{Brightness on the "Black" state}}$$



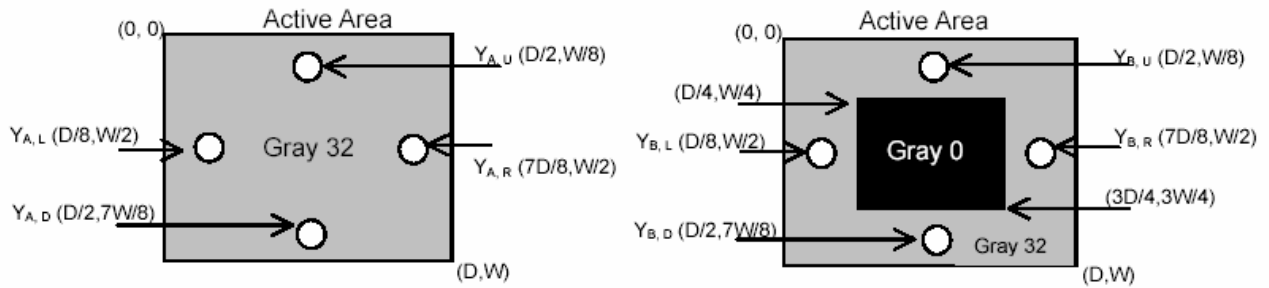
Note 7 : Definition of Cross Talk (CT)

$$CT = |Y_B - Y_A| / Y_A \times 100 \quad (\%)$$

Where

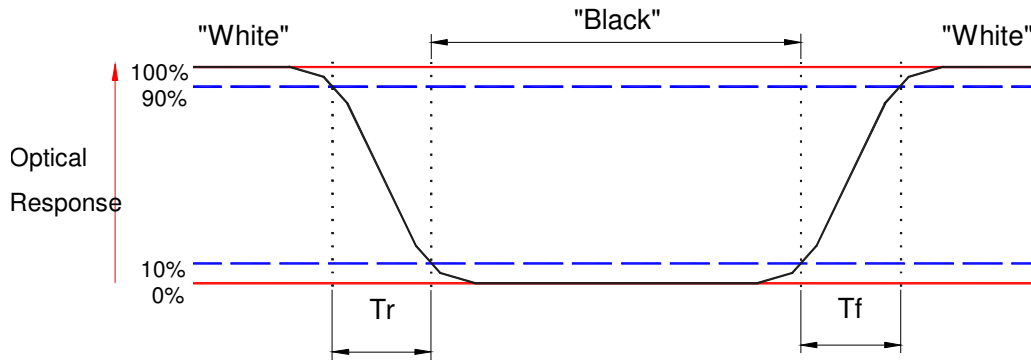
$Y_A$  = Luminance of measured location without gray level 0 pattern (cd/m<sup>2</sup>)

$Y_B$  = Luminance of measured location with gray level 0 pattern (cd/m<sup>2</sup>)



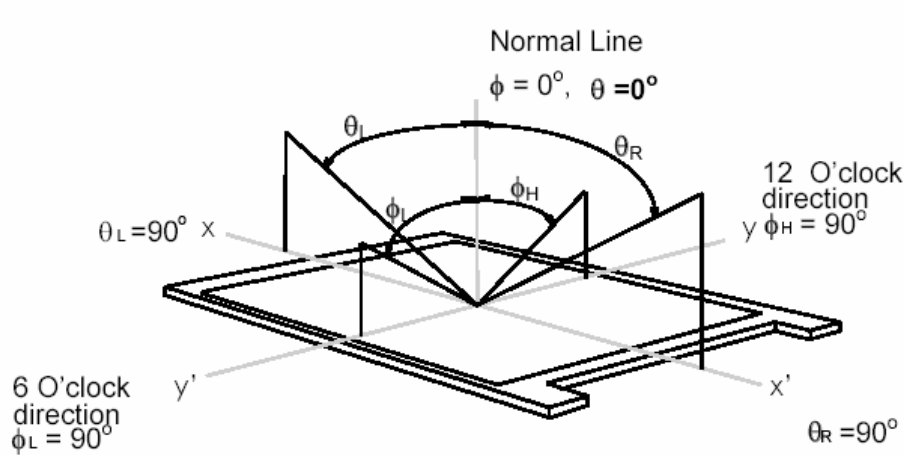
Note 8: Definition of response time:

The output signals of BM-7 or equivalent are measured when the input signals are changed from "Black" to "White" (falling time) and from "White" to "Black" (rising time), respectively. The response time interval between the 10% and 90% of amplitudes. Refer to figure as below.



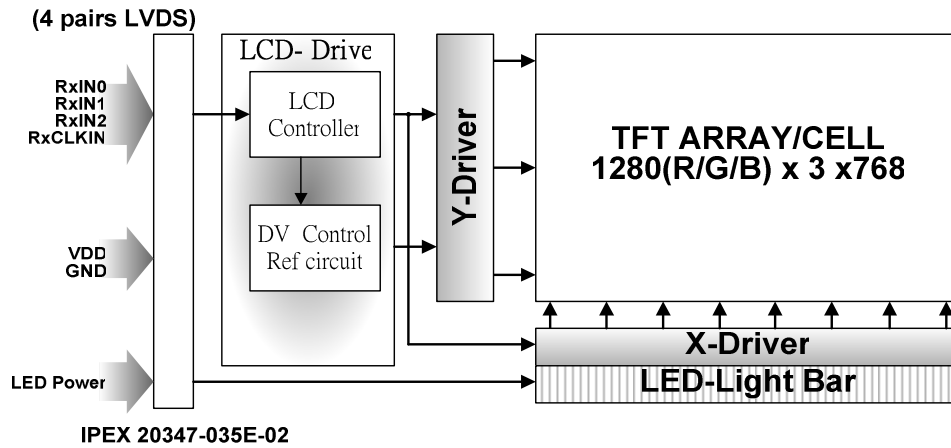
Note 9. Definition of viewing angle

Viewing angle is the measurement of contrast ratio  $\geq 10$ , at the screen center, over a  $180^\circ$  horizontal and  $180^\circ$  vertical range (off-normal viewing angles). The  $180^\circ$  viewing angle range is broken down as follows;  $90^\circ$  ( $\theta$ ) horizontal left and right and  $90^\circ$  ( $\Phi$ ) vertical, high (up) and low (down). The measurement direction is typically perpendicular to the display surface with the screen rotated about its center to develop the desired measurement viewing angle.



## 3. Functional Block Diagram

The following diagram shows the functional block of the 13.3 inches wide Color TFT/LCD Module:



## 4. Absolute Maximum Ratings

Absolute maximum ratings of the module are as following:

### 4.1 Absolute Rating of TFT LCD Module

Item	Symbol	Min	Max	Unit	Conditions
Logic/LCD Drive Voltage	VDD	-0.3	+4.0	[Volt]	Note 1,2

### 4.2 Absolute Rating of Backlight Unit

Item	Symbol	Min	Max	Unit	Conditions
LED Current	ILED	-	30	[mA]	Note 1,2

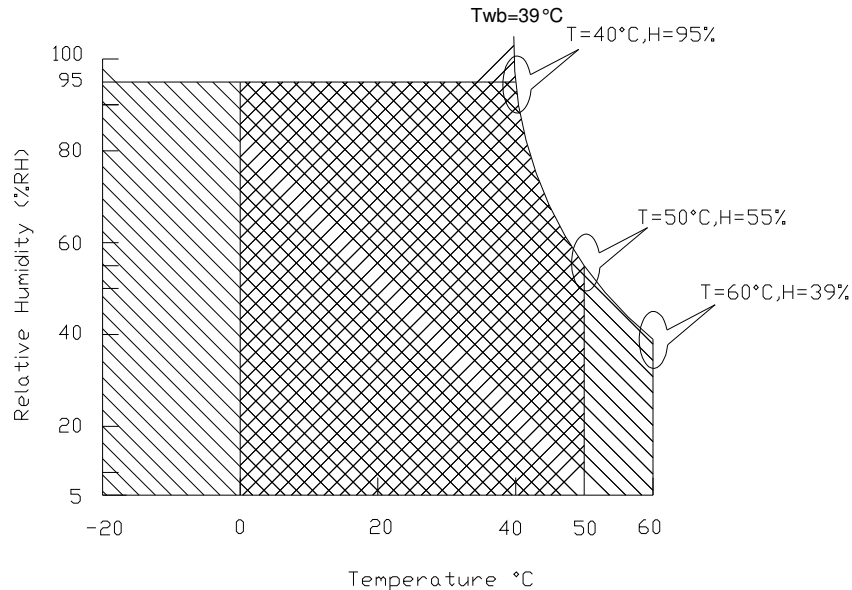
### 4.3 Absolute Ratings of Environment

Item	Symbol	Min	Max	Unit	Conditions
Operating Temperature	TOP	0	+50	[°C]	Note 3
Operation Humidity	HOP	5	95	[%RH]	Note 3
Storage Temperature	TST	-20	+65	[°C]	Note 3
Storage Humidity	HST	5	95	[%RH]	Note 3

Note 1: At Ta ( 25°C )

Note 2: Permanent damage to the device may occur if exceed maximum values

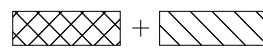
Note 3: For quality performance, please refer to AUO IIS ( Incoming Inspection Standard ) .



**Operating Range**



**Storage Range**



## 5. Electrical characteristics

### 5.1 TFT LCD Module

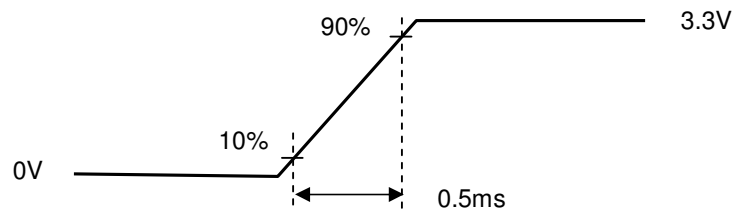
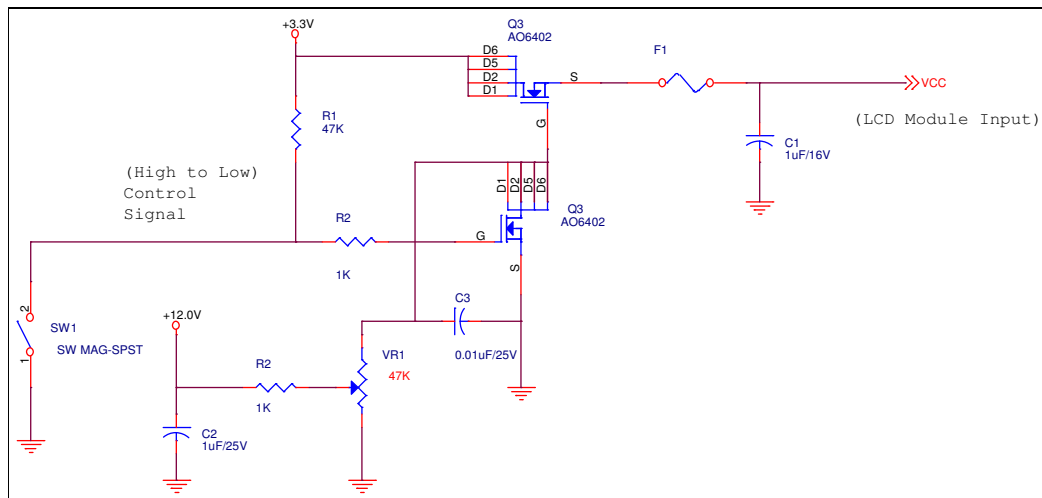
#### 5.1.1 Power Specification

Input power specifications are as follows;

Symble	Parameter	Min	Typ	Max	Units	Note
VDD	Logic/LCD Drive Voltage	3.0	3.3	3.6	[Volt]	
PDD	VDD Power		0.7	1.0	[Watt]	Note 1
IDD	IDD Current		270	330	[mA]	Note 1
IRush	Inrush Current		0.81	1.5	[A]	Note 2
VDDrp	Allowable Logic/LCD Drive Ripple Voltage			100	[mV] p-p	

Note 1 : Maximum Measurement Condition : Mosaic

Note 2 : Measure Condition



Vin rising time

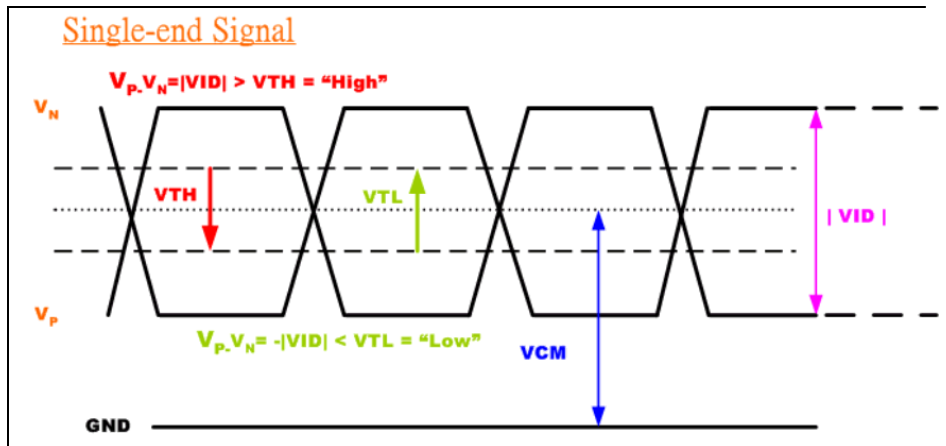
## 5.1.2 Signal Electrical Characteristics

Input signals shall be low or High-impedance state when VDD is off.

Signal electrical characteristics are as follows;

Parameter	Condition	Min	Max	Unit
Vth	Differential Input High Threshold (Vcm=+1.2V)		100	[mV]
Vtl	Differential Input Low Threshold (Vcm=+1.2V)	-100		[mV]
Vcm	Differential Input Common Mode Voltage	0.8	2.0	[V]

Note: LVDS Differential Voltage





# Product Specification

AU OPTRONICS CORPORATION

B133EW03 V0

## 5.2 Backlight Unit

Parameter guideline for LED

Parameter	Min	Typ	Max	Units	Condition
White Luminance 5 points average	270	330	-	[cd/m <sup>2</sup> ]	( Ta=25°C )
LED current (ILED)	-	16	-	[mA]	( Ta=25°C ) Note 2
LED Power consumption	-	3.3		[Watt]	( Ta=25°C ) Note 6



# Product Specification

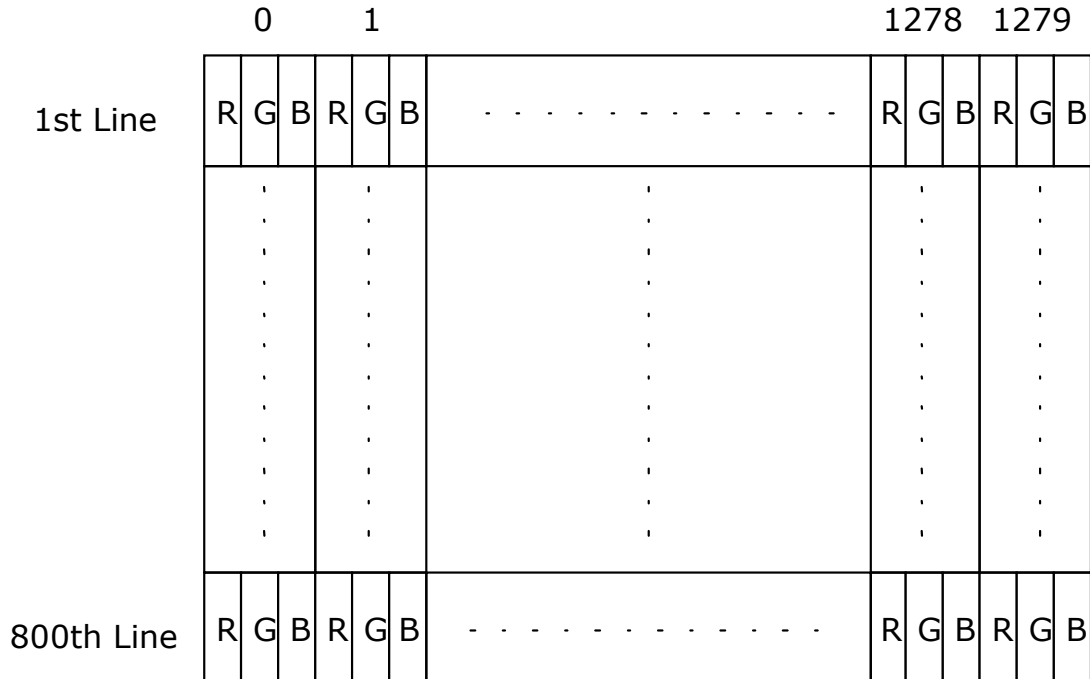
AU OPTRONICS CORPORATION

B133EW03 V0

## 6. Signal Characteristic

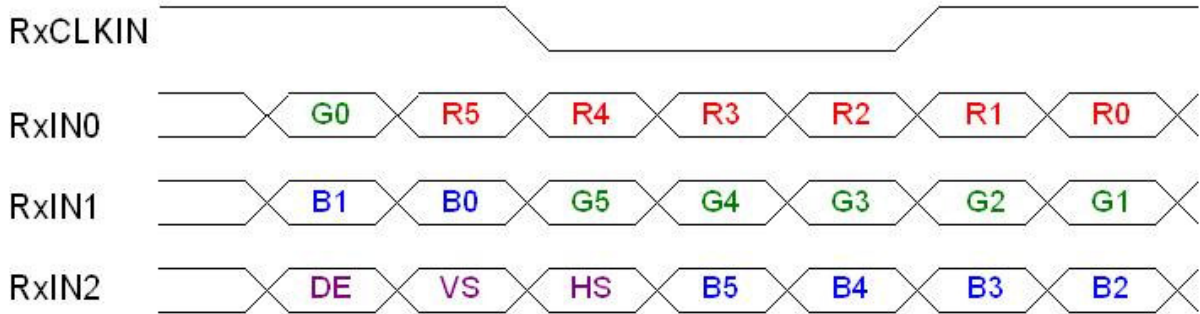
### 6.1 Pixel Format Image

Following figure shows the relationship of the input signals and LCD pixel format.





## 6.2 The input data format



Signal Name	Description	
+R5 +R4 +R3 +R2 +R1 +R0	Red Data 5 (MSB) Red Data 4 Red Data 3 Red Data 2 Red Data 1 Red Data 0 (LSB) Red-pixel Data	Red-pixel Data Each red pixel's brightness data consists of these 6 bits pixel data.
+G5 +G4 +G3 +G2 +G1 +G0	Green Data 5 (MSB) Green Data 4 Green Data 3 Green Data 2 Green Data 1 Green Data 0 (LSB) Green-pixel Data	Green-pixel Data Each green pixel's brightness data consists of these 6 bits pixel data.
+B5 +B4 +B3 +B2 +B1 +B0	Blue Data 5 (MSB) Blue Data 4 Blue Data 3 Blue Data 2 Blue Data 1 Blue Data 0 (LSB) Blue-pixel Data	Blue-pixel Data Each blue pixel's brightness data consists of these 6 bits pixel data.
RxCLKIN	Data Clock	The signal is used to strobe the pixel data and DE signals. All pixel data shall be valid at the falling edge when the DE signal is high.
DE	Display Timing	This signal is strobed at the falling edge of RxCLKIN. When the signal is high, the pixel data shall be valid to be displayed.
VS	Vertical Sync	The signal is synchronized to RxCLKIN .
HS	Horizontal Sync	The signal is synchronized to RxCLKIN .

Note: Output signals from any system shall be low or High-impedance state when VDD is off.



# Product Specification

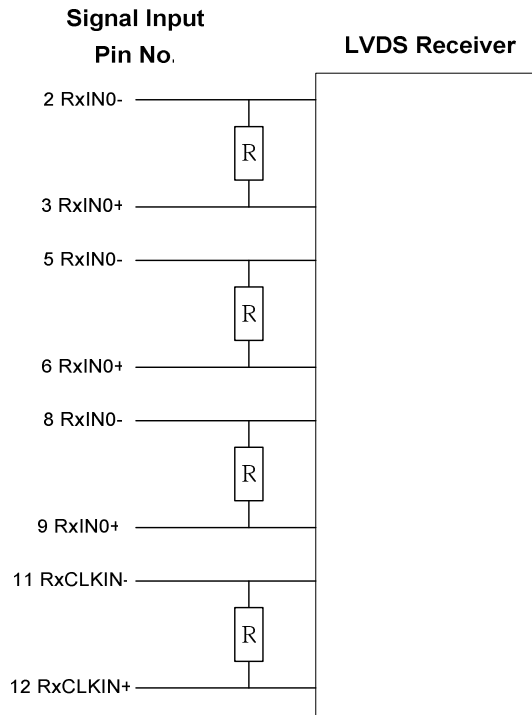
AU OPTRONICS CORPORATION

B133EW03 V0

## 6.3 Signal Description/Pin Assignment

TBD

Note2: Input signals shall be low or High-impedance state when VDD is off. Internal circuit of LVDS inputs are as following.



The module uses a 100ohm resistor between positive and negative data lines of each receiver input

## 6.4 Interface Timing

### 6.4.1 Timing Characteristics

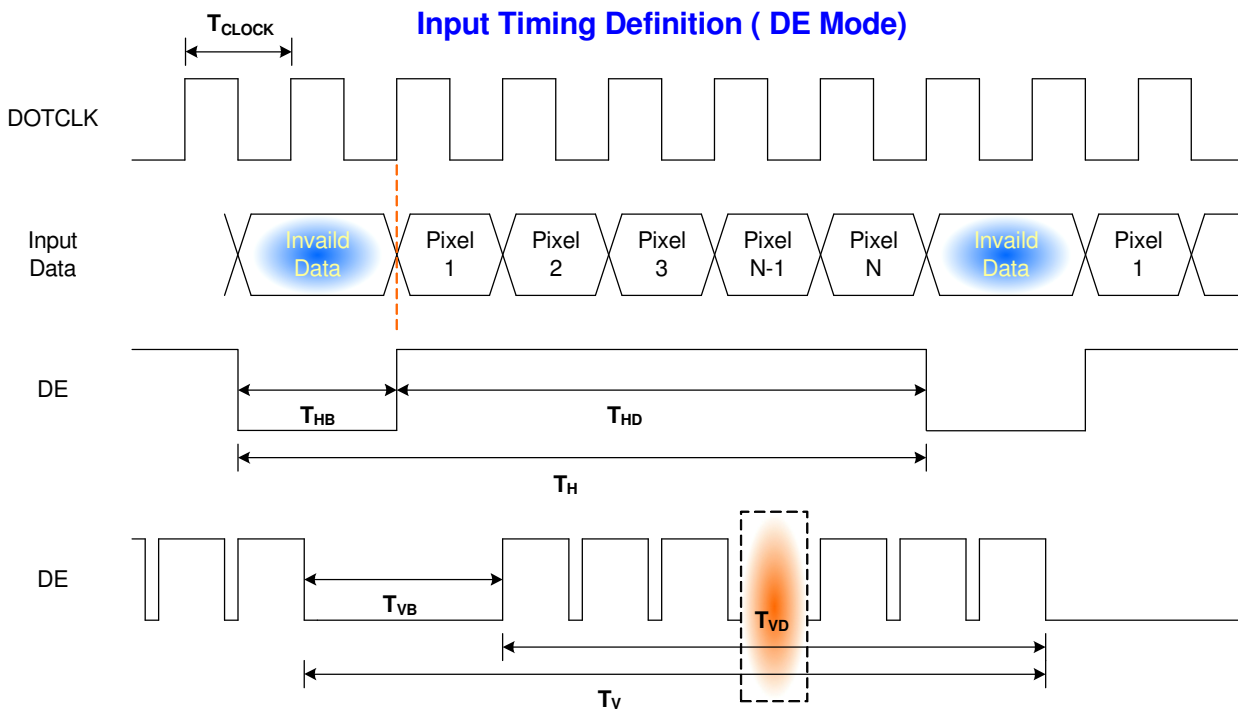
Basically, interface timings should match the 1280x800 /60Hz manufacturing guide line timing.

Parameter		Symbol	Min.	Typ.	Max.	Unit
Frame Rate		-		60	-	Hz
Clock frequency		$1/T_{Clock}$		71.1		MHz
Vertical Section	Period	$T_V$	803	823	1023	$T_{Line}$
	Active	$T_{VD}$	800	800	800	
	Blanking	$T_{VB}$	3	23	223	
Horizontal Section	Period	$T_H$	1303	1440	2047	$T_{Clock}$
	Active	$T_{HD}$	1280	1280	1280	
	Blanking	$T_{HB}$	23	160	767	

SS:  $\pm 1.5\%$

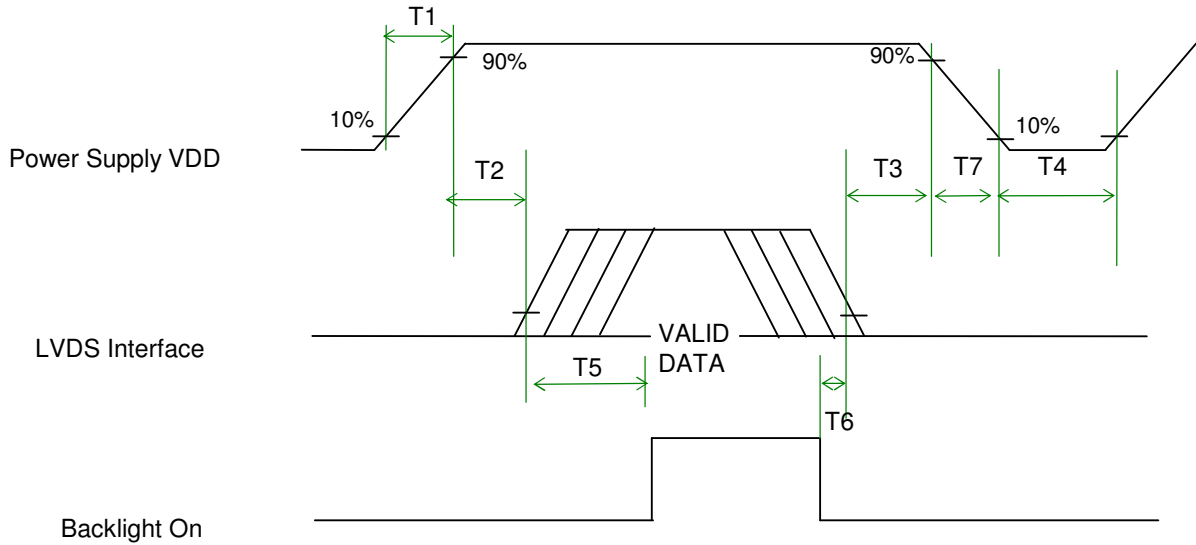
Note : DE mode only

### 6.4.2 Timing diagram



## 6.5 Power ON/OFF Sequence

VDD power and lamp on/off sequence is as follows. Interface signals are also shown in the chart. Signals from any system shall be Hi-Z state or low level when VDD is off.



## Power Sequence Timing

Parameter	Value			Units
	Min.	Typ.	Max.	
T1	0.5	-	10	(ms)
T2	0	-	50	(ms)
T3	0	-	50	(ms)
T4	400	-	-	(ms)
T5	200	-	-	(ms)
T6	200	-	-	(ms)
T7	0	-	10	(ms)



# Product Specification

AU OPTRONICS CORPORATION

B133EW03 V0

## 7. Connector Description

Physical interface is described as for the connector on module.

These connectors are capable of accommodating the following signals and will be following components.

### 7.1 TFT LCD Module

Connector Name / Designation	For Signal Connector
Manufacturer	IPEX
Type / Part Number	20347-330E-12
Mating Connect/Part Number	20345-XX-XX



## 8. Vibration and Shock Test

### 8.1 Vibration Test

**Test Spec:**

- Test method: Non-Operation
- Acceleration: TBD
- Frequency: TBD
- Sweep: TBD

### 8.2 Shock Test Spec:

**Test Spec:**

- Test method: Non-Operation
- Acceleration: TBD
- Active time: TBD
- Pulse: TBD



# Product Specification

AU OPTRONICS CORPORATION

B133EW03 V0

## 9. Reliability

Items	Required Condition	Note
Temperature Humidity Bias	40°C/90%,48Hr	
High Temperature Operation	50°C/20%,48Hr	
Low Temperature Operation	0°C ,300Hr	
On/Off Test	25°C , ON/10 sec. OFF/10sec., 30,000 cycles	
Hot Storage	60°C/20% RH ,48 hours	
Cold Storage	-20°C/50% RH ,48 hours	
Thermal Shock Test	-20°C/2hr ,60°C/2hr 12cycles	
Shock Test ( Non-Operating )	TBD	
Vibration Test ( Non-Operating )	TBD	
ESD	TBD	Note 1

Note1: According to EN61000-4-2 , ESD class B: Some performance degradation allowed. No data lost . Self-recoverable. No hardware failures.

Note3: MTBF ( Excluding the LED ) : 30,000 hours with a confidence level 90%





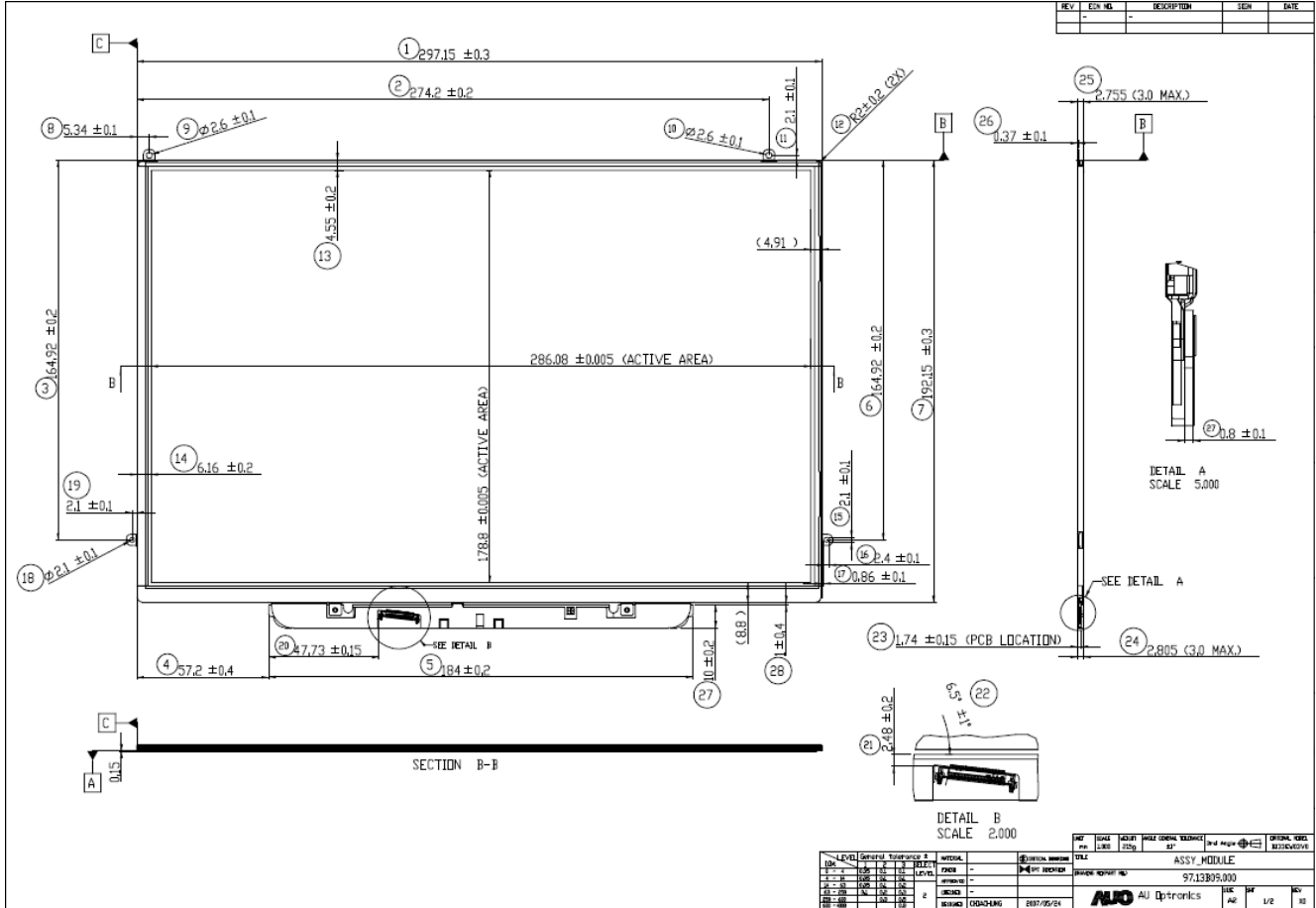
# Product Specification

AU OPTRONICS CORPORATION

B133EW03 V0

## 10. Mechanical Characteristics

### 10.1 LCM Outline Dimension



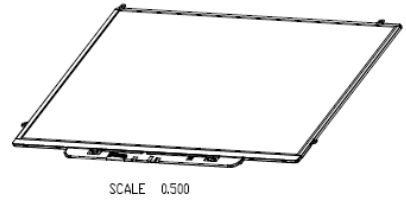
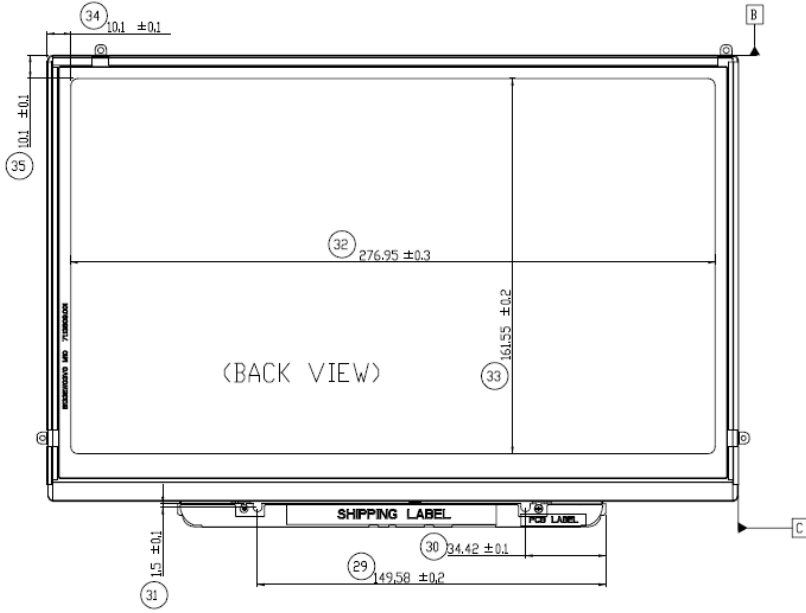


# Product Specification

AU OPTRONICS CORPORATION

B133EW03 V0

REV	ENR. NO.	DESCRIPTION	SEN	DATE
-	-	-	-	-



REV	ENR. NO.	DESCRIPTION	SEN	DATE
-	-	-	-	-

LEVEL	Serial	Quantity	UNIT	STATUS	DATE	BY	CHK	REV
1.0	1.0	1	PCS	OK	2007/05/21			1.0
1.1	1.0	1	PCS	OK				
1.2	1.0	1	PCS	OK				
1.3	1.0	1	PCS	OK				
1.4	1.0	1	PCS	OK				
1.5	1.0	1	PCS	OK				
1.6	1.0	1	PCS	OK				
1.7	1.0	1	PCS	OK				
1.8	1.0	1	PCS	OK				
1.9	1.0	1	PCS	OK				
2.0	1.0	1	PCS	OK				

REV	ENR. NO.	DESCRIPTION	SEN	DATE
-	-	-	-	-

ASSEMBLY NO. 97123095.000

PCB LABEL

AUO AU Optronics



# Product Specification

AU OPTRONICS CORPORATION

B133EW03 V0

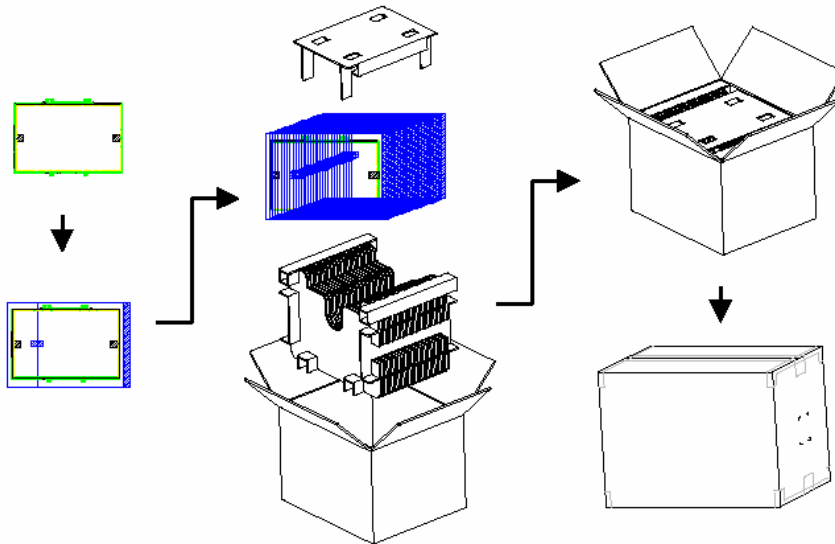
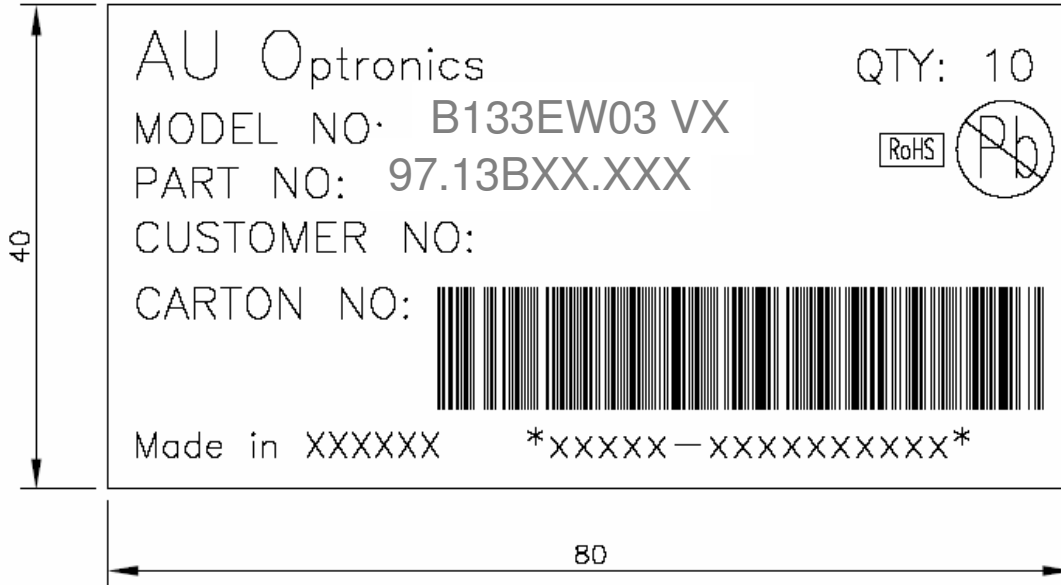
## 11. Shipping and Package

### 11.1 Shipping Label Format

TBD

## 11.2. Carton package

Carton Label: 80mm \* 40mm



## 11.3 Shipping package of palletizing

